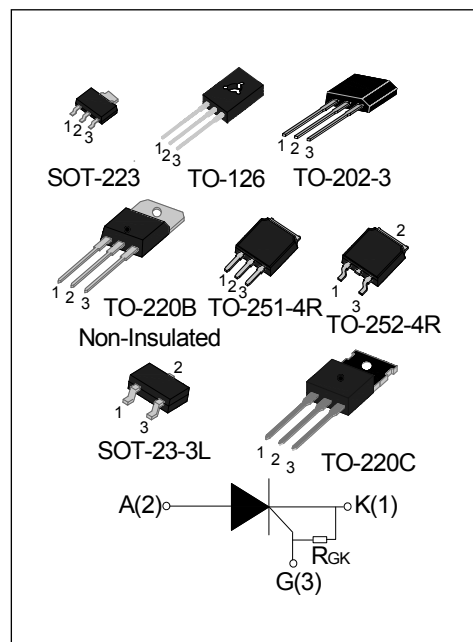


DESCRIPTION:

The BM0405 SCR series with the parallel resistor between Gate and Cathode are especially recommended for use on straight hair, igniter, anion generator, etc.

MAIN FEATURES

Symbol	Value	Unit
$I_{T(RMS)}$	4	A
I_{GT}	≤ 200	μA
V_{TM}	≤ 1.5	V


ABSOLUTE MAXIMUM RATINGS

Parameter		Symbol	Value	Unit
Storage junction temperature range		T_{stg}	-40-150	$^{\circ}C$
Operating junction temperature range		T_j	-40-125 ^①	$^{\circ}C$
Repetitive peak off-state voltage		V_{DRM}	600	V
Repetitive peak reverse voltage		V_{RRM}	600	V
RMS on-state current	TO-220B(Non-Ins) / TO-220C($T_C=95^{\circ}C$)	$I_{T(RMS)}$	4	A
	TO-251-4R/ TO-252-4R/ TO-202-3 ($T_C=80^{\circ}C$)			
	TO-126 ($T_C=75^{\circ}C$)			
	SOT-223($T_C=70^{\circ}C$)			
	SOT-23-3L ($T_C=56^{\circ}C$)			
Non repetitive surge peak on-state current (tp=10ms)		I_{TSM}	40	A
I^2t value for fusing (tp=10ms)		I^2t	4.5	A^2s
Critical rate of rise of on-state current		di/dt	50	$A/\mu s$

Peak gate current (tp=20μs, T _j =110°C)	I _{GM}	1.2	A
Peak gate power (tp=20μs, T _j =110°C)	P _{GM}	2	W
Average gate power dissipation(T _j =110°C)	P _{G(AV)}	0.2	W

NOTE 1: T_j=125°C with R_{GK}=1KΩ; T_j=110°C without R_{GK}.

ELECTRICAL CHARACTERISTICS (T_j=25°C unless otherwise specified)

Symbol	Test Condition	Value			Unit
		MIN.	TYP.	MAX.	
I _{GT}	V _D =12V R _L =33Ω	-	50	200	μA
V _{GT}		-	0.6	0.8	V
V _{GD}	V _D =V _{DRM} T _j =110°C	0.2	-	-	V
I _L	I _G =1.2 I _{GT}	-	-	6	mA
I _H	I _T =0.05A	-	-	5	mA
dV/dt	V _D =2/3V _{DRM} T _j =110°C R _{GK} =1KΩ	10	-	-	V/μs

STATIC CHARACTERISTICS

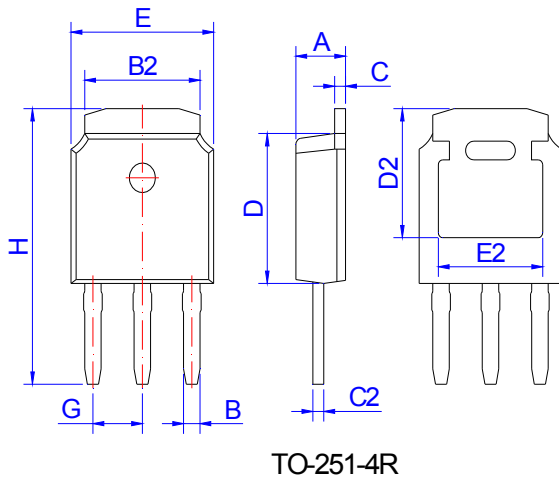
Symbol	Parameter		Value(MAX)	Unit
V _{TM}	I _{TM} =8A tp=380μs	T _j =25°C	1.5	V
I _{DRM}	V _D =V _{DRM} V _R =V _{RRM}	T _j =25°C	5	μA
I _{RRM}		T _j =110°C	200	μA

THERMAL RESISTANCES

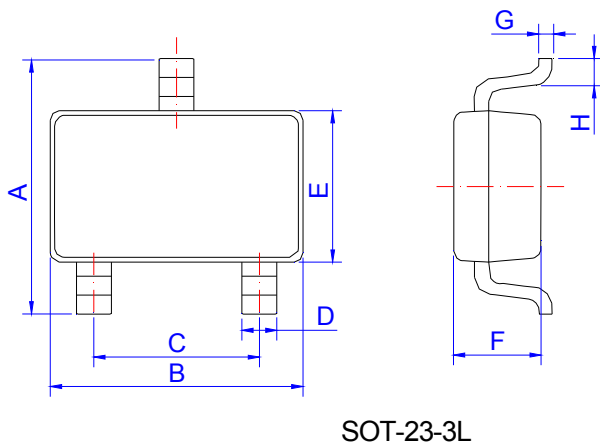
Symbol	Parameter		Value	Unit
R _{th(j-c)}	junction to case	TO-220B(Non-Ins)/ TO-220C	2.8	°C/W
		TO-251-4R/ TO-252-4R	6.5	
		TO-202-3/ TO-126	7.2	
		SOT-223	10	
		SOT-23-3L	23	

ORDERING INFORMATION

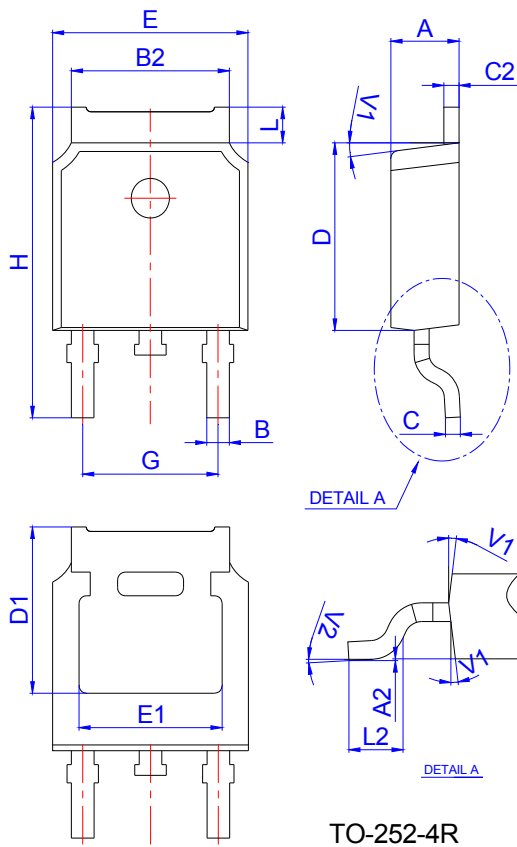
Bright Moon Semiconductor Co.,Ltd	BM	04	05	H
	$I_T(\text{RMS}):4\text{A}$ 05: $I_{GT} \leq 200\mu\text{A}$			
C:TO-220C L:SOT-23-3L S3:TO-202-3 K:TO-252-4R Q:TO-126 H:TO-251-4R V:SOT-223B:TO-220B(Non-Ins)				

PACKAGE MECHANICAL DATA


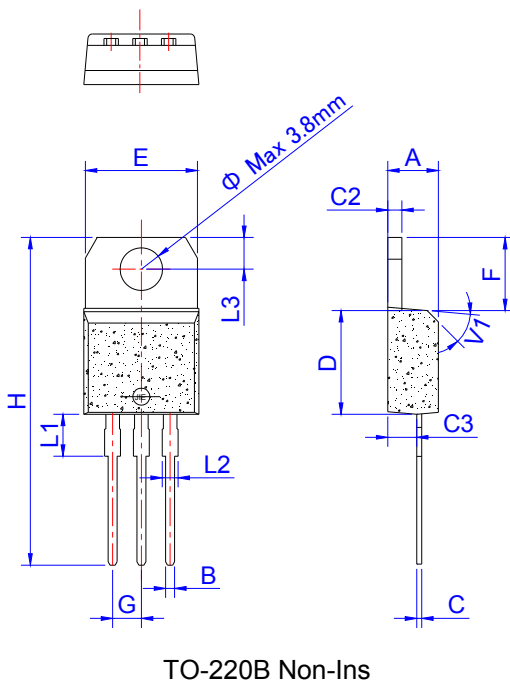
Ref.	Dimensions					
	Millimeters			Inches		
	Min.	Typ.	Max.	Min.	Typ.	Max.
A	2.10	2.30	2.50	0.083	0.091	0.098
B	0.66	0.76	0.86	0.026	0.030	0.034
B2	5.15	5.33	5.48	0.203	0.210	0.216
C	0.44	0.51	0.58	0.017	0.020	0.023
C2	0.44	0.51	0.58	0.017	0.020	0.023
D	5.90	6.10	6.30	0.232	0.240	0.248
D2	5.30 REF			0.209 REF		
E	6.40	6.60	6.80	0.252	0.260	0.268
E2	4.83 REF			0.190 REF		
G	2.19	2.29	2.39	0.086	0.090	0.094
H	10.60	11.20	11.80	0.417	0.441	0.465



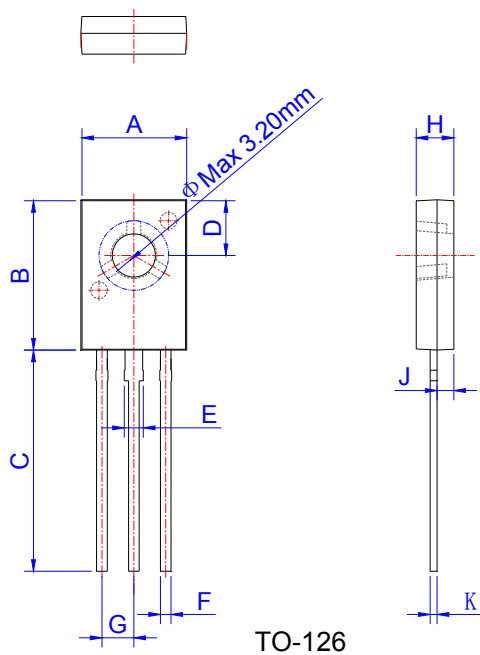
Ref.	Dimensions					
	Millimeters			Inches		
	Min.	Typ.	Max.	Min.	Typ.	Max.
A	2.65	2.80	2.95	0.104	0.110	0.116
B	2.82	2.92	3.02	0.111	0.115	0.119
C	1.80	1.90	2.00	0.071	0.075	0.079
D	0.30	0.35	0.50	0.012	0.014	0.020
E	1.50	1.60	1.70	0.059	0.063	0.067
F	1.07	1.17	1.27	0.042	0.046	0.050
G	0.05	0.15	0.25	0.002	0.006	0.010
H	0.25	0.40	0.55	0.010	0.016	0.022

PACKAGE MECHANICAL DATA


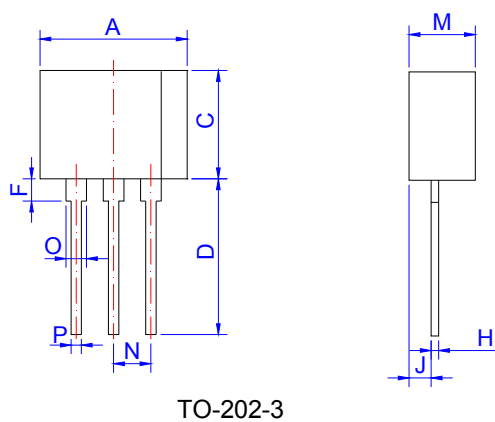
Ref.	Dimensions					
	Millimeters			Inches		
	Min.	Typ.	Max.	Min.	Typ.	Max.
A	2.10		2.50	0.083		0.098
A2	0		0.10	0		0.004
B	0.66		0.86	0.026		0.034
B2	5.18		5.48	0.202		0.216
C	0.40		0.60	0.016		0.024
C2	0.44		0.58	0.017		0.023
D	5.90		6.30	0.232		0.248
D1	5.30REF			0.209REF		
E	6.40		6.80	0.252		0.268
E1	4.63			0.182		
G	4.47		4.67	0.176		0.184
H	9.50		10.70	0.374		0.421
L	1.09		1.21	0.043		0.048
L2	1.35		1.65	0.053		0.065
V1		7°			7°	
V2	0°		6°	0°		6°



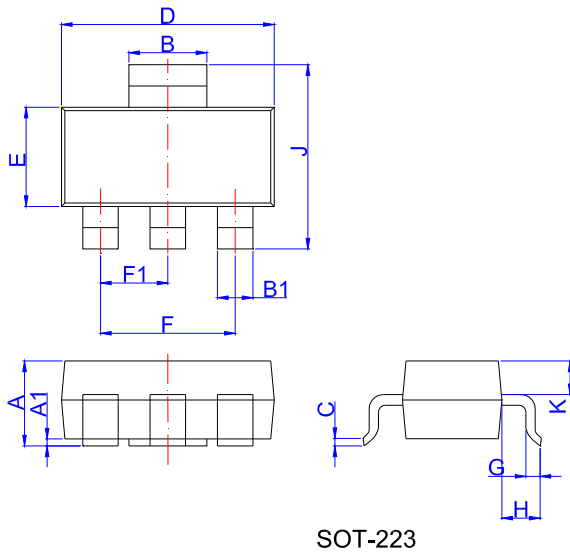
Ref.	Dimensions					
	Millimeters			Inches		
	Min.	Typ.	Max.	Min.	Typ.	Max.
A	4.40		4.60	0.173		0.181
B	0.61		0.88	0.024		0.035
C	0.46		0.70	0.018		0.028
C2	1.21		1.32	0.048		0.052
C3	2.40		2.72	0.094		0.107
D	8.60		9.70	0.339		0.382
E	9.60		10.4	0.378		0.409
F	6.20		6.60	0.244		0.260
G		2.54			0.1	
H	28.0		29.8	1.102		1.173
L1		3.75			0.148	
L2	1.14		1.70	0.045		0.067
L3	2.65		2.95	0.104		0.116
V1		45°			45°	

PACKAGE MECHANICAL DATA


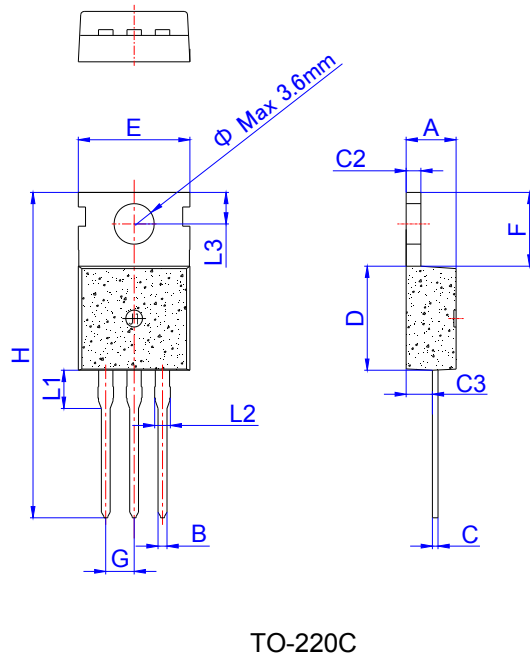
Ref.	Dimensions					
	Millimeters			Inches		
	Min.	Typ.	Max.	Min.	Typ.	Max.
A	7.40		7.80	0.291		0.307
B	10.6		11.2	0.417		0.441
C	15.3		16.3	0.602		0.642
D	3.90		4.10	0.154		0.161
E	1.17		1.47	0.046		0.058
F	0.66		0.86	0.026		0.034
G		2.29			0.090	
H	2.50		2.90	0.098		0.114
J	1.10		1.50	0.043		0.059
K	0.45		0.60	0.018		0.024



Ref.	Dimensions					
	Millimeters			Inches		
	Min.	Typ.	Max.	Min.	Typ.	Max.
A	9.30		9.90	0.366		0.390
C	7.0		7.6	0.276		0.299
D	10.5		11.5	0.413		0.453
F	1.50		2.50	0.059		0.098
H	0.45		0.55	0.018		0.022
J	1.50		1.90	0.059		0.075
M	4.40		4.70	0.173		0.185
N		2.54			0.100	
O	1.20		1.50	0.047		0.059
P	0.60		0.80	0.024		0.031

PACKAGE MECHANICAL DATA


Ref.	Dimensions					
	Millimeters			Inches		
	Min.	Typ.	Max.	Min.	Typ.	Max.
A	1.5	1.6	1.8	0.059	0.063	0.071
A1	0.01	0.06	0.10	0.001	0.002	0.004
B	2.9	3.0	3.1	0.114	0.118	0.122
B1	0.6	0.7	0.8	0.024	0.028	0.031
C	0.22	0.26	0.32	0.009	0.010	0.013
D	6.3	6.5	6.7	0.248	0.256	0.264
E	3.3	3.5	3.7	0.130	0.138	0.146
F		4.6			0.181	
F1		2.3			0.091	
G	0.7	0.9	1.1	0.028	0.035	0.043
H	1.5	1.75	2.0	0.059	0.069	0.079
J	6.7	7.0	7.3	0.264	0.276	0.287
K	0.8	0.9	1.0	0.031	0.035	0.039



Ref.	Dimensions					
	Millimeters			Inches		
	Min.	Typ.	Max.	Min.	Typ.	Max.
A	4.40		4.60	0.173		0.181
B	0.70		0.90	0.028		0.035
C	0.45		0.60	0.018		0.024
C2	1.23		1.32	0.048		0.052
C3	2.20		2.60	0.087		0.102
D	8.90		9.90	0.350		0.390
E	9.90		10.3	0.390		0.406
F	6.30		6.90	0.248		0.272
G		2.54			0.1	
H	28.0		29.8	1.102		1.173
L1		3.39			0.133	
L2	1.14		1.70	0.045		0.067
L3	2.65		2.95	0.104		0.116
Φ		3.6			0.142	

FIG.1: Maximum power dissipation versus RMS on-state current

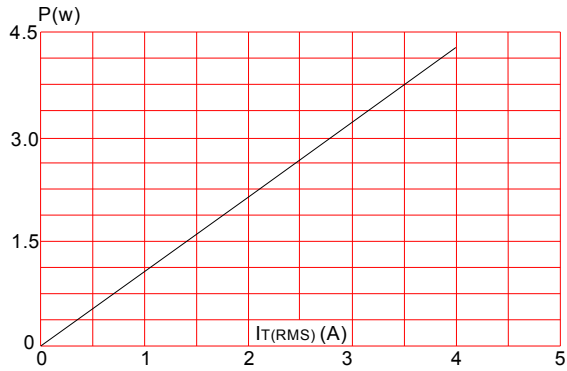


FIG.3: Surge peak on-state current versus number of cycles

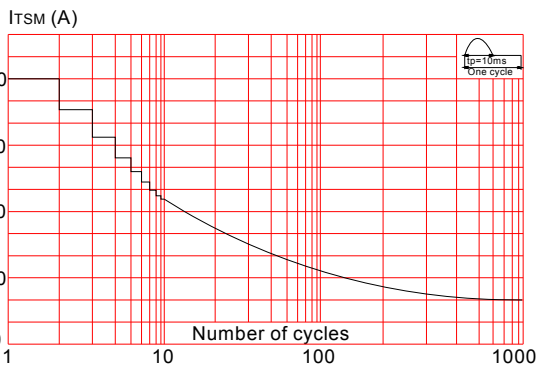


FIG.5: Non-repetitive surge peak on-state current for a sinusoidal pulse with width $t_p < 10\text{ms}$, and corresponding value of I^2t ($di/dt < 50\text{A}/\mu\text{s}$)

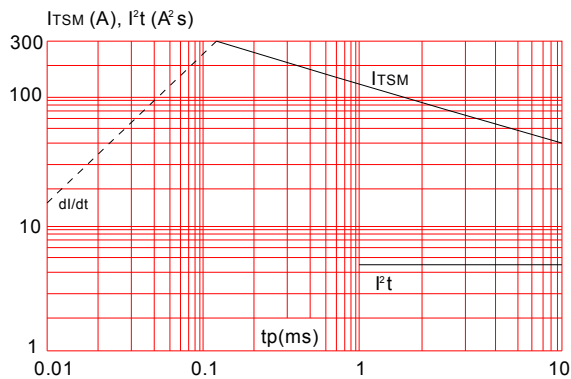


FIG.2: RMS on-state current versus case temperature

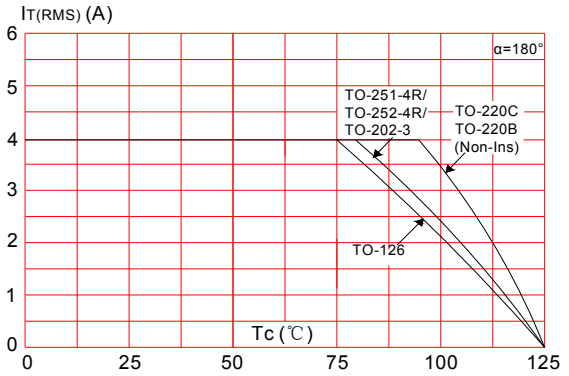


FIG.4: On-state characteristics (maximum values)

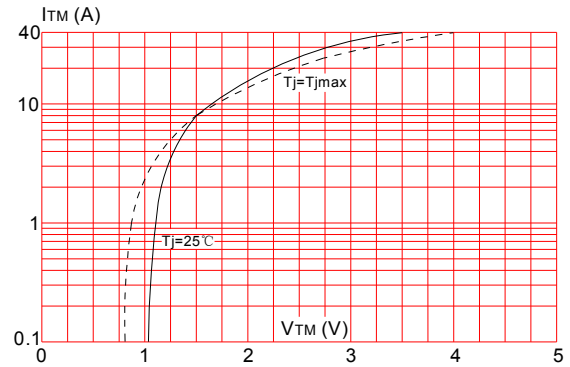


FIG.6: Relative variations of gate trigger current, holding current and latching current versus junction temperature

